

TRAVERNIA FEST - 15 November '24 at HITEX, Hyderabad

Travernia Fest, a premier Travel Conference that is designed for Travellers is being held on 15th November '24 at HITEX, Hyderabad. The Hall Layout, Stall Sizes & Rates are attached below for your information. We request you to confirm your participation by booking the stall of your choice in the Hall by email only (info@traverniafest.com).

Any other mode of bookings is not entertained.

STALL BOOKING COMMENCED - BOOKINGS HAVE OPENED ON 18.06.24

TRAVERNIA FEST 2024

15 NOVEMBER '24 AT HITEX, HYDERABAD

Book Your Choice of Stall Now

Stall Rates

TRAVERNIA FEST - 15 November '24 at HITEX, Hyderabad

HALL 4 (C&D)

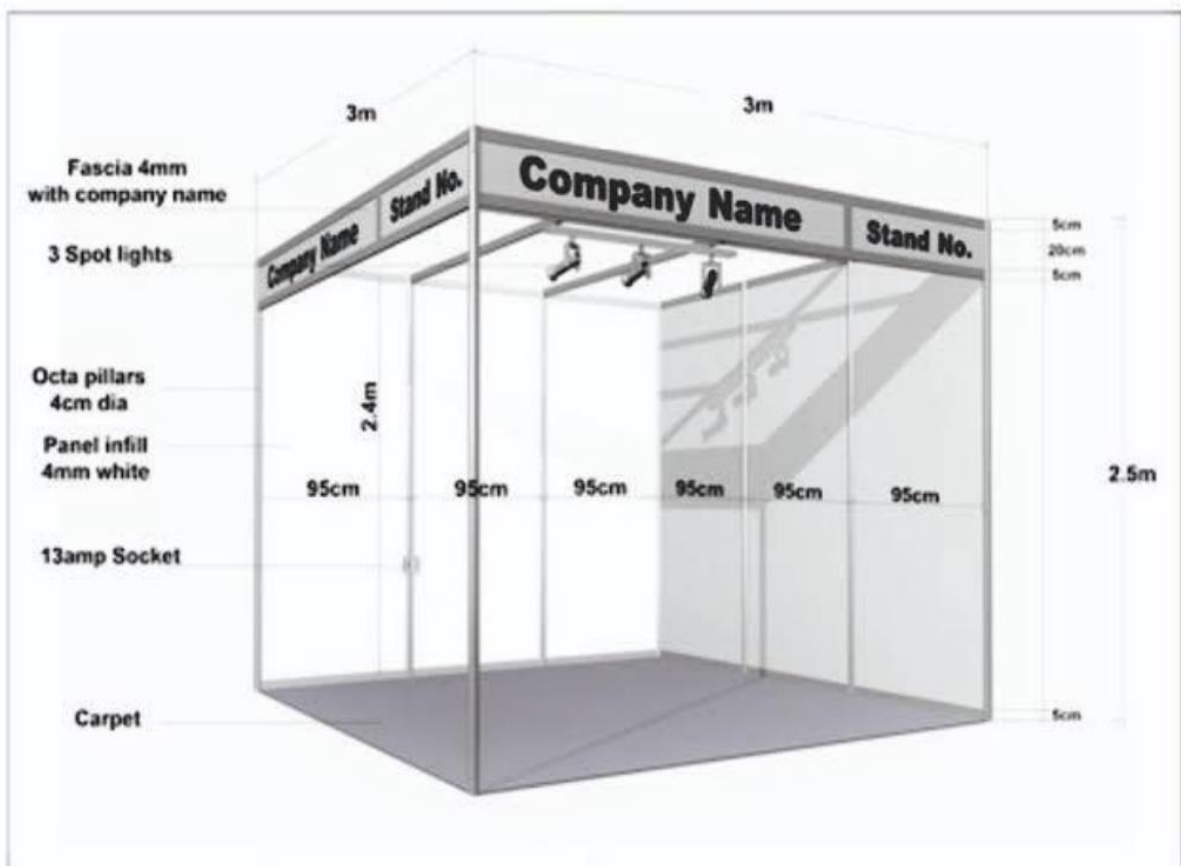
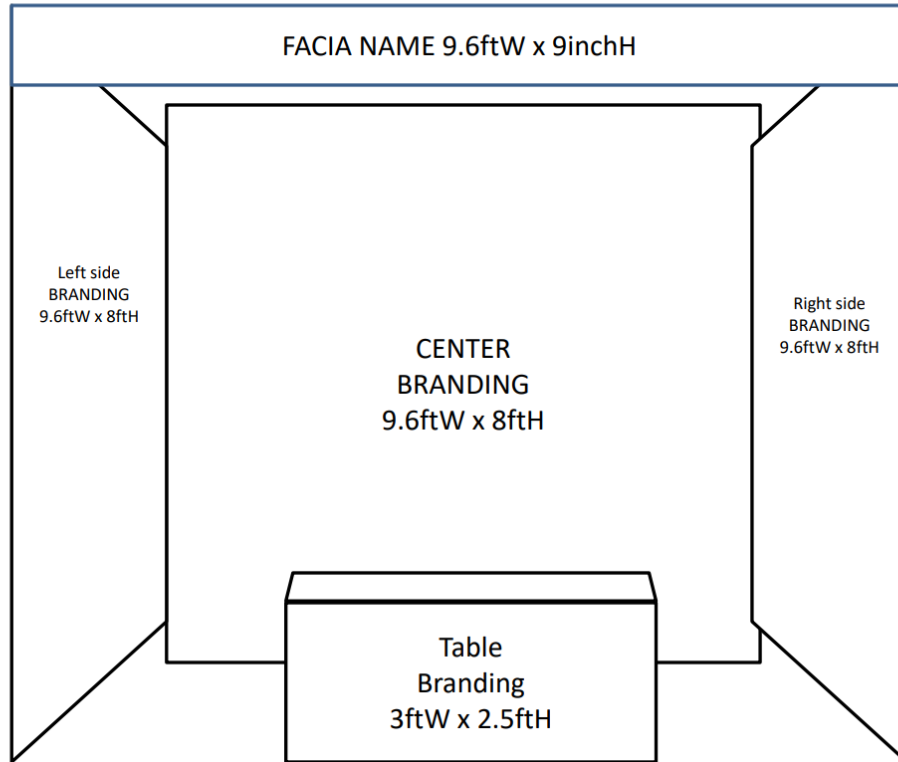
Stall Type	Stall Size	Stall Area (sq mtr)	Amount (Inclusive of GST)
A	3 x 3	9	INR 35,000
B	6 x 3	18	INR 75,000
C	9 x 3	27	INR 1,25,000

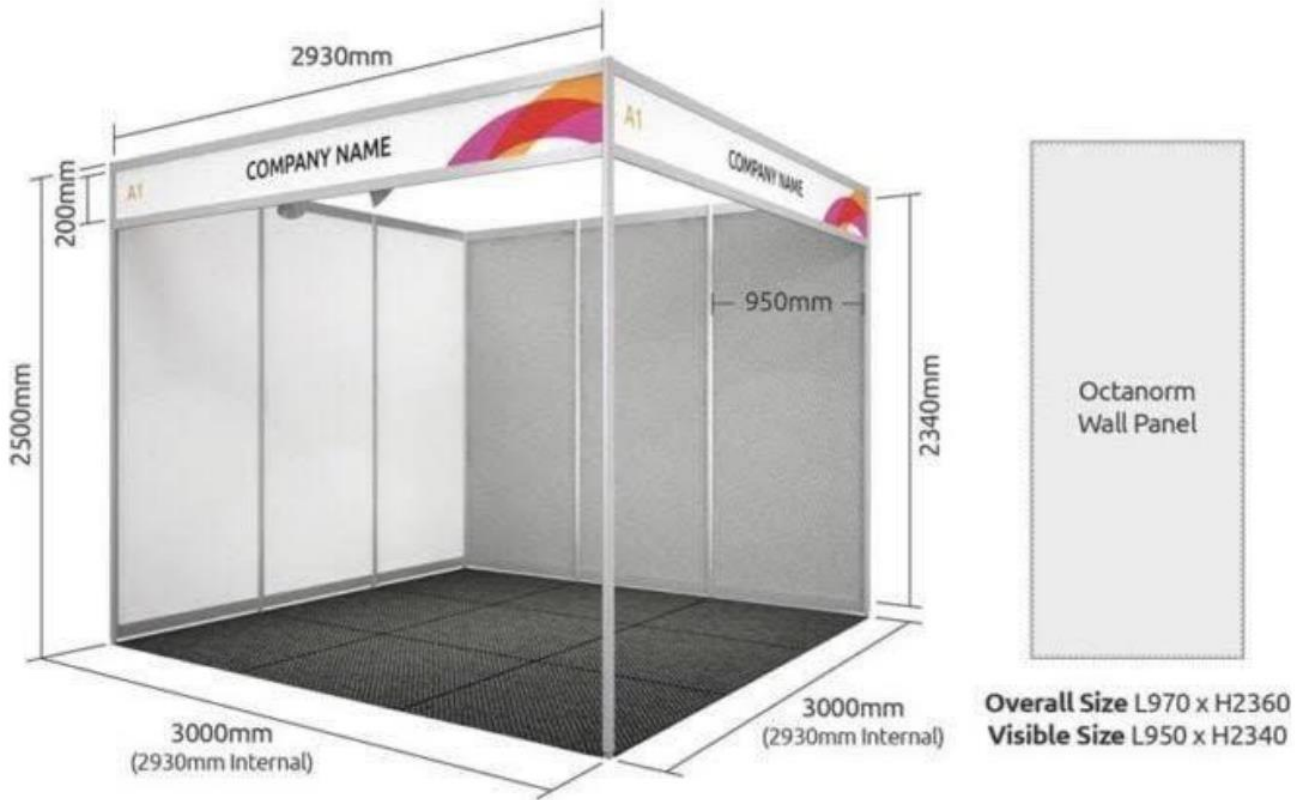
All additional requirements will be charged on actuals
Add **15%** for **Corner**, **25%** for **Premium Location**

YOUR CHOICE OF STALL IS JUST AN EMAIL AWAY: CALL - +91 89770 09459

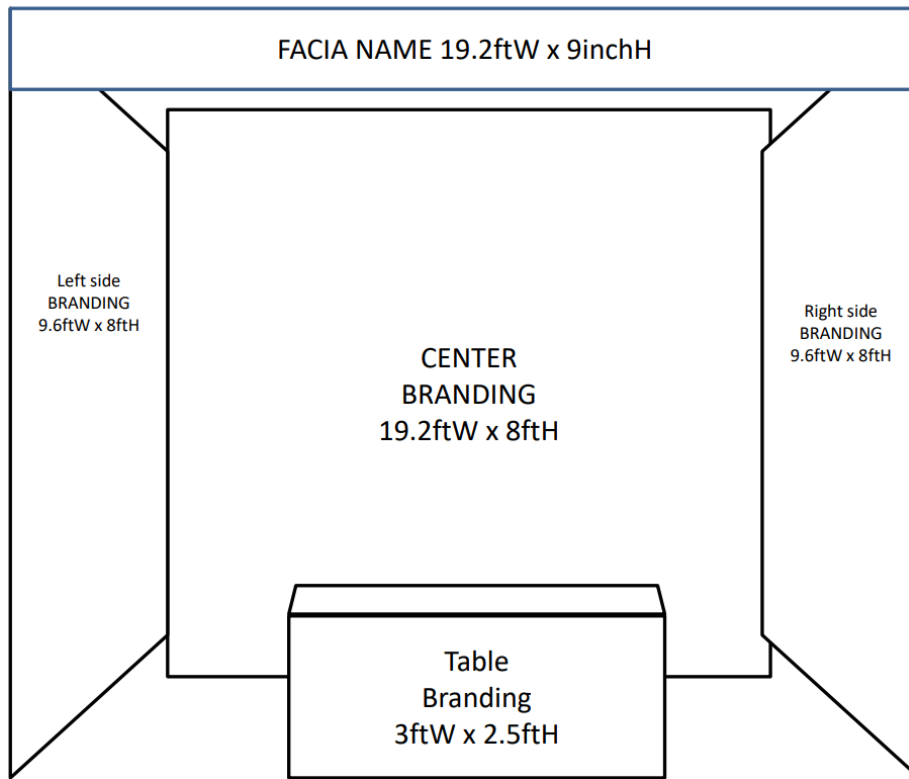
Email: info@traverniafest.com

3x3mtr Stall

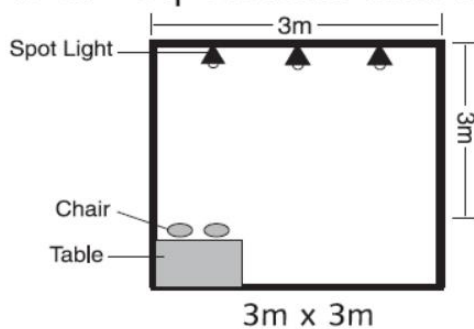




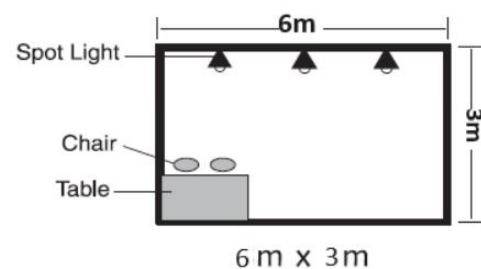
3x6mtr Stall



Typical standard booths are available in multiples of 9 & 18 Sq Meters and will contain as mentioned below



1 Table, 2 Chairs, 3 Spotlights
1 Power Point, 1 Dustbin
Fascia Name
Free listing in Exhibition Directory



2 Table, 4 Chairs, 6 Spotlights
1 Power Point, 1 Dustbin
Fascia Name
Free listing in Exhibition Directory

All additional requirements will be charged on actuals
Add **15%** for **Corner**, **25%** for **Premium Location**

TERMS AND CONDITIONS TO BE SIGNED, STAMPED AND SUBMITTED BY EXHIBITOR

(scanned copy to be sent to info@traverniafest.com)

1. Booking of Stalls should be made ONLY through email to TRAVERNIA FEST at (info@traverniafest.com).

Stall Booking will be considered ONLY if Booking sent along with the scanned and signed copy of the Terms and Conditions by the Authorised Signatory of the Company.

2. Advance payment of 25% Stall price should be received within 3 days of booking the Stall otherwise the Stall booking will automatically stand cancelled and no communication regarding the cancellation of Stall booking will be sent. No consideration of extension of the 3 day time period to make advance payment will be considered.

3. Booking/Blocking of Stalls over the telephone/whatsapp will not be entertained and the allotment of Stalls will be decided on a first come - first serve basis of the email received.

4. Stall bookings will be confirmed ONLY on receipt of Advance Payment of 25% Stall Price.

5. Next 50% of Stall Price to be paid before 14th September 2024.

6. Balance 25% of Stall Price to be paid before 15th October 2024.

7. No Refunds will be made if the allotment is cancelled.

8. Bookings valid only for Stall No. mentioned and no changes will be allowed for the same.

9. Participation in Travernia Fest STRICTLY on receipt of 100% Stall Price. In the event of not receiving the full payment within the specified dates the stall booking will be treated as cancelled and the amount paid will be forfeited.

10. These terms cannot be varied under any circumstances.

IN RELATION TO THE CONSTRUCTION OF STALLS & DISPLAYS THE EXHIBITOR WILL ENSURE THAT:

11. The height of 1) The façade of stall, 2) Dividing walls and 3) Back wall must not exceed 12' feet.

12. In the Stall Layout only the sides marked in Red can be covered upto a maximum height of 12' feet from the ground, the balance area / sides can be covered upto a maximum of 4' feet from the ground to ensure a view of stalls behind.

13. In case stall/exhibit height is more than 12 feet then exhibitor will be asked to dismantle the same.

14. The Exhibitor will not use Loudspeakers, Microphones or Amplifiers.

15. Ensure all Display Material including Standees are placed INSIDE the stall and NOT in the Passage Way for visitors, (or) in the Hall (or) Outside the Hall including the parking area.

16. Stalls must display exhibits and be occupied by staff during opening hours.

17. Only the No. of Sales Staff as specified, wearing the Travernia Fest Exhibitor Badges at all times are allowed in the stall.

18. No canvassing for Sales / Distribution of Leaflets in the parking area.

19. Canvassing / Discussion with Visitors strictly NOT allowed in the Passage Way. This is unfair to other Exhibitors and an inconvenience to visitors.

20. Exhibitors shall only use the authorised Electrical Contractor. No electrical work may be carried out in the Exhibition by any person other than the person authorised.

21. Exhibitors must ensure that the aisles are not blocked during erection of their stalls, and that the contractor removes his off-cuts and debris from the Hall and the stall is completely erected before 08:00 a.m. on 15th November 2024.

22. Exhibitors are responsible for their own belongings.

23. The Exhibitor is advised to study the layout in detail keeping in mind the above rules before booking and payment of advance amount for the stall.

24. No modifications to be above rules are allowed or will be entertained.

Authorised person details:

Name

Designation

Stamp & Signature

Date

VENUE LAYOUT

HALL 4, HITEX, HYDERABAD



Established in 2003, Hyderabad International Trade Expositions Limited, also known as HITEX, was created with the vision of providing a world-class facility for organizing events, exhibitions, conferences, live shows and trade fairs. Located in the heart of Hyderabad, India, HITEX is a premier MICE destination and has hosted 1500+ national and international events and expositions over the years, as well as its own initiatives to promote trade and commerce in the region. With a decade of experience and success, HITEX is committed to continually upholding and improving standards and best practices. The venue is a symbol of excellence, promoting success in its various forms.

HALL LAYOUT

HALL 4 (C & D), HITEX, HYDERABAD

